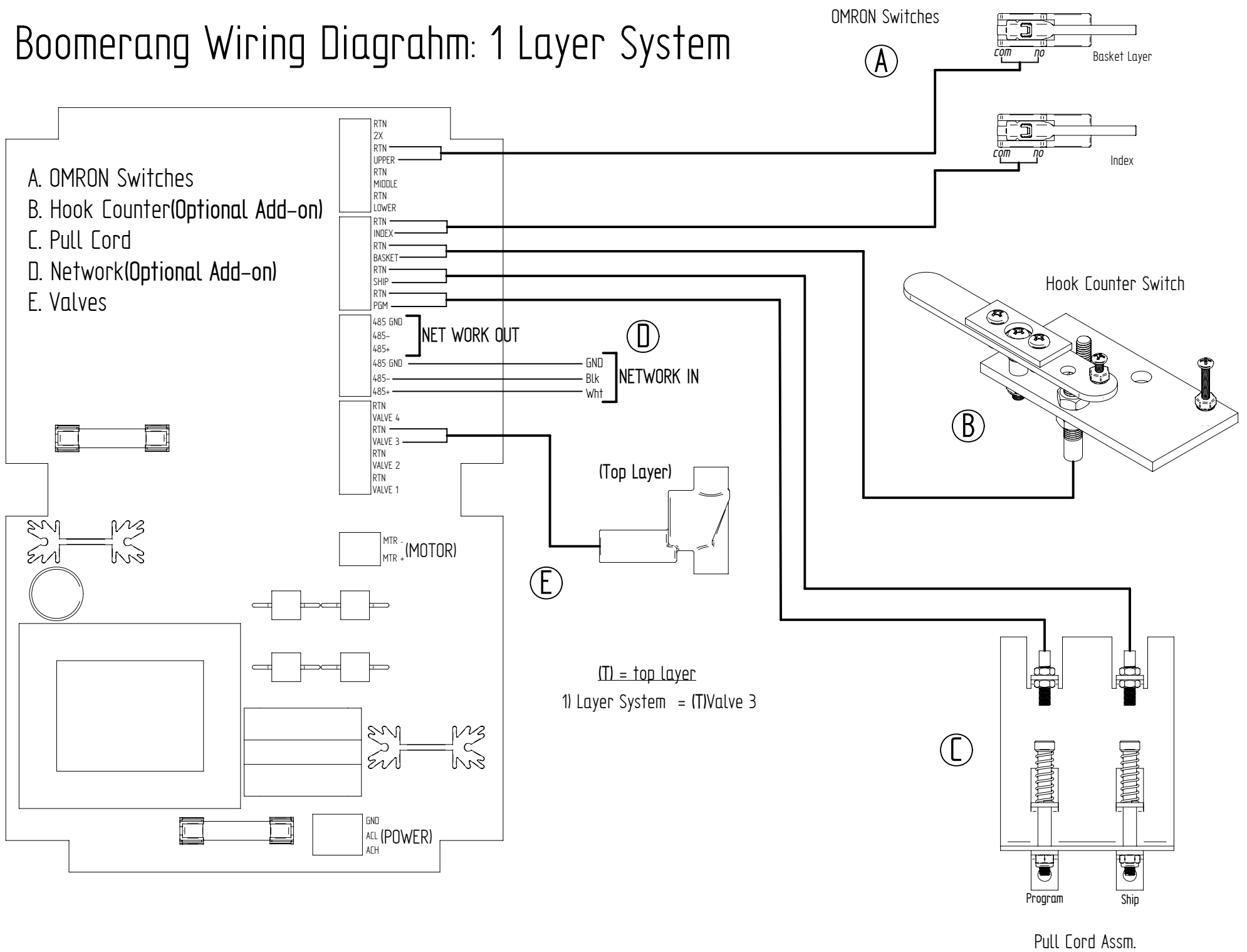
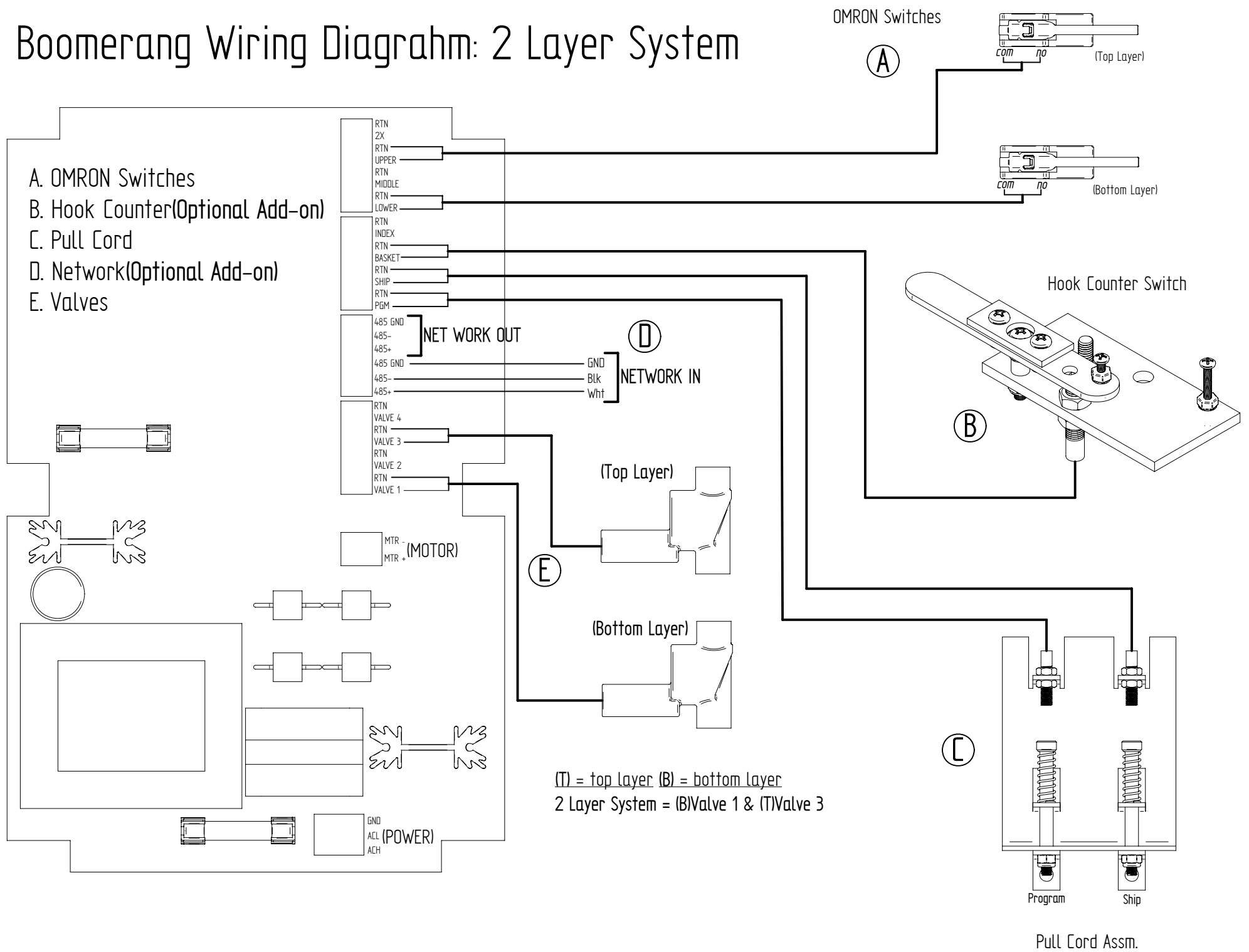


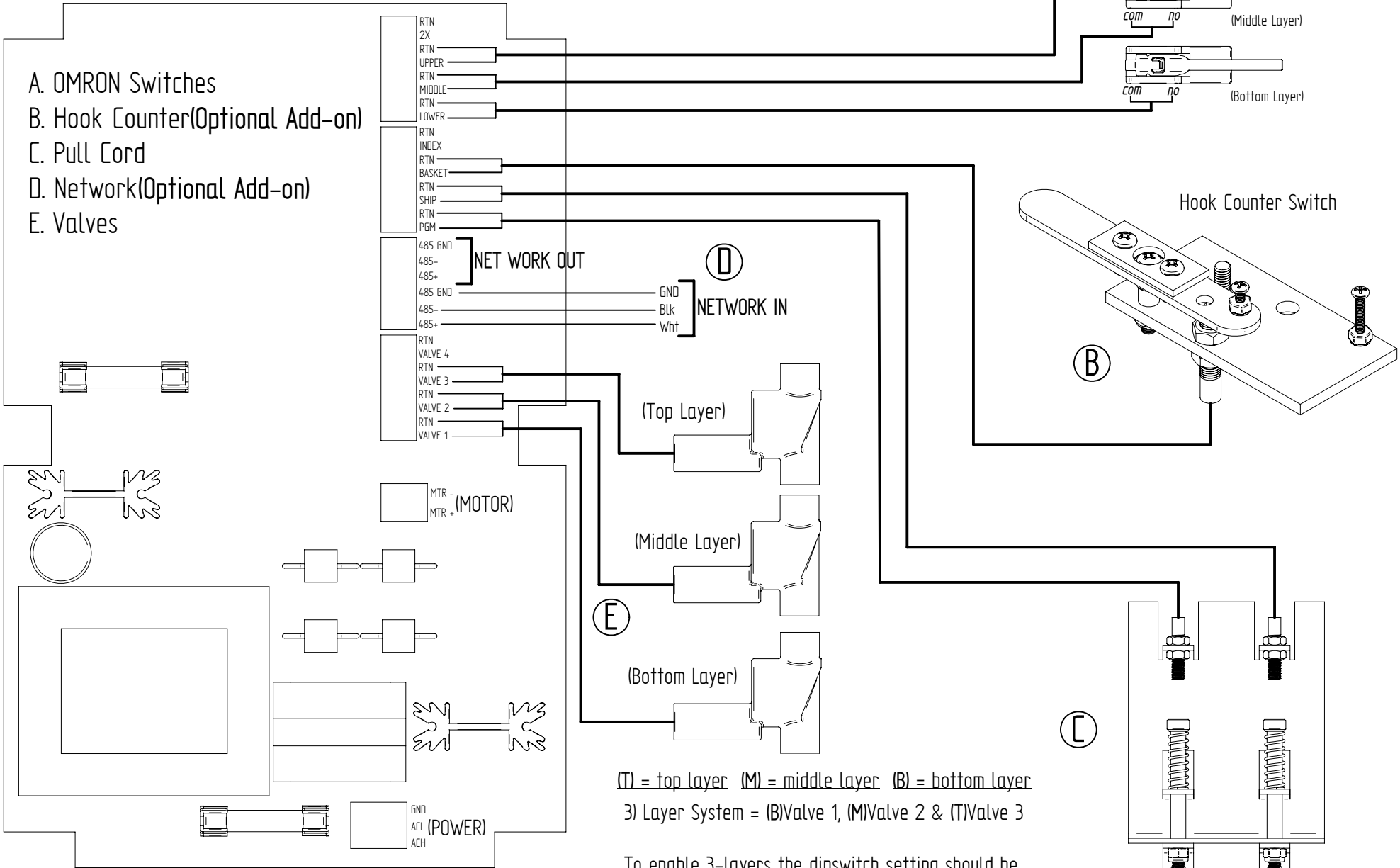
Boomerang Wiring Diagram: 1 Layer System



Boomerang Wiring Diagram: 2 Layer System



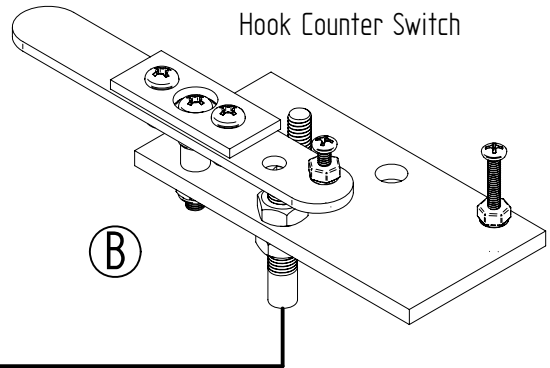
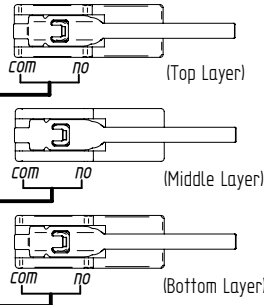
Boomerang Wiring Diagram: 3 Layer System



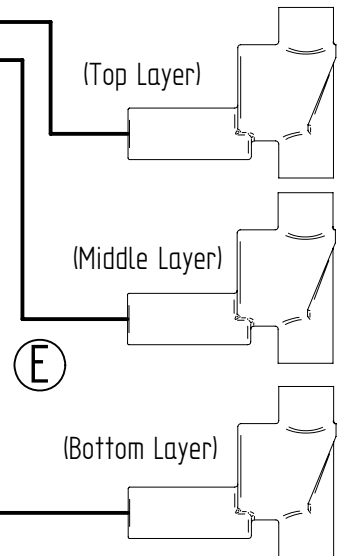
- A. OMRON Switches
- B. Hook Counter(Optional Add-on)
- C. Pull Cord
- D. Network(Optional Add-on)
- E. Valves

OMRON Switches

(A)

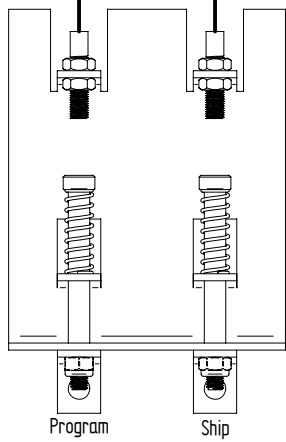


(B)



(E)

(C)



(T) = top layer (M) = middle layer (B) = bottom layer
 3) Layer System = (B)Valve 1, (M)Valve 2 & (T)Valve 3

To enable 3-layers the dipswitch setting should be set to #8-ON. All other dipswitches should be OFF. Dipswitches can be located in the upper-right corner of the board.

Pull Cord Assm.

Wiring 2 Pull Cord Assemblies to a Boomerang

